

Genesis DCCU

See overleaf for
electrical connection

INSTALLING AND CONNECTING THE SENSORS

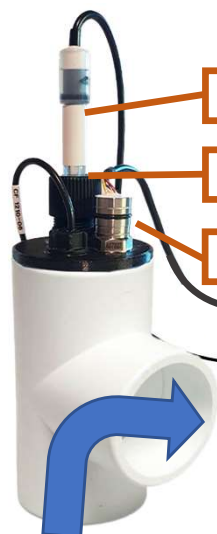
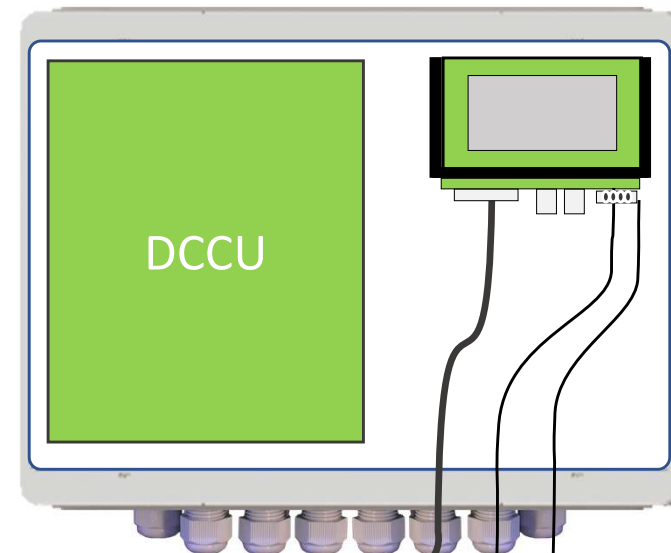
Cut threads:

- pH+ORP Sensor *
- Water Pressure Sensor
- Water Temperature Sensor

M24x1.5
M17x1.5
M17x1.5

Alternatively, for pipes ≤ 2 " use a Flow Cell:

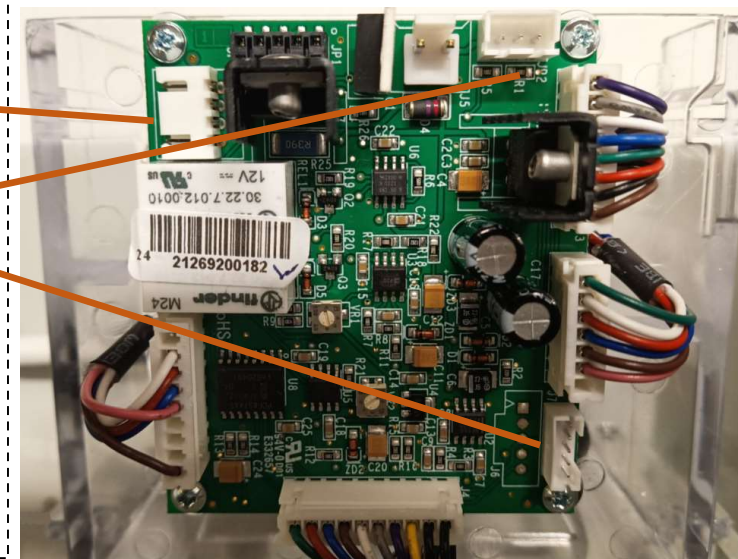
- Horizontally or vertically
- Between the pump and filter



pH+ORP *

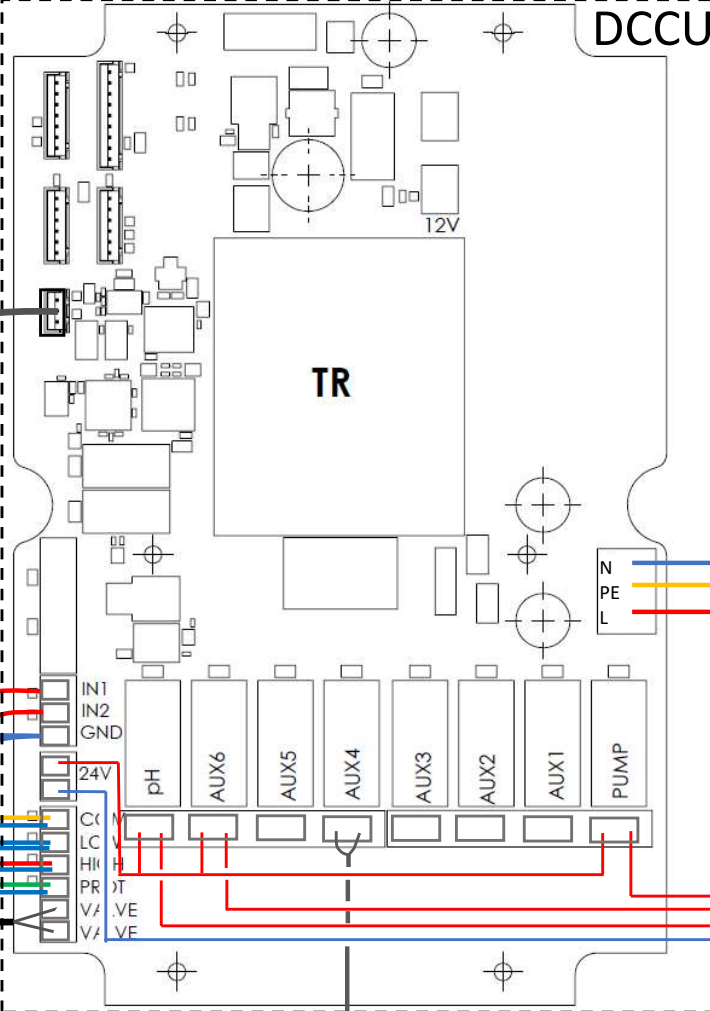
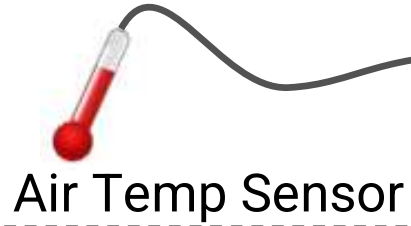
Water Temperature

Water Pressure

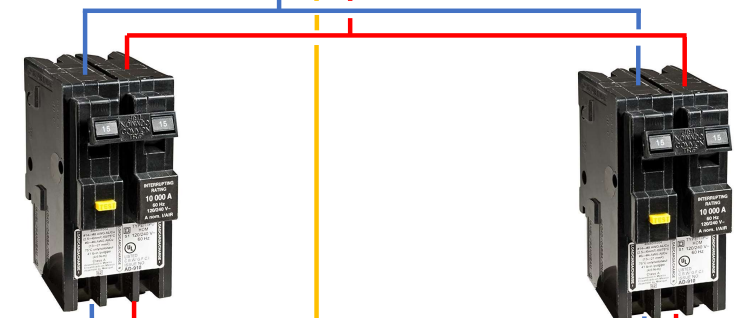


* Sold separately

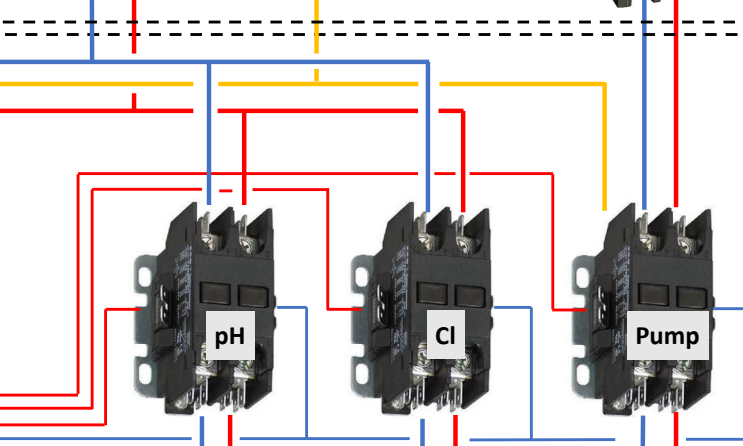
Genesis Sensors
See overleaf for connecting sensors



120 VAC Supply



Power Box



Water Level



Flow Switch



Ext. Warn.



pH Feeder



Cl Feeder



Filtration

